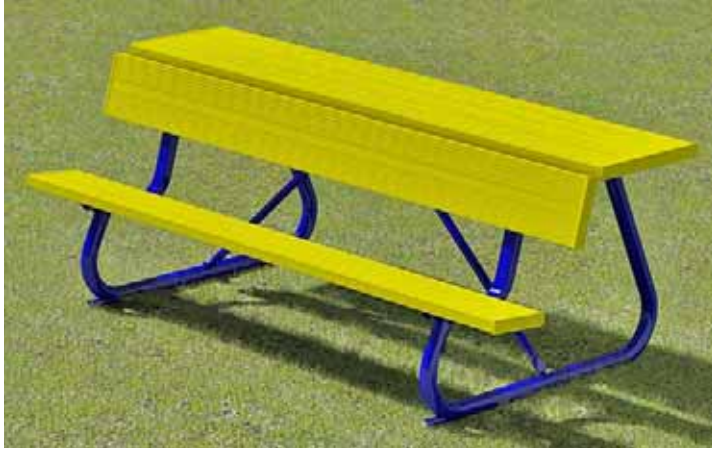


Model B302 6 and 8 Foot Athletic Team Bench with Aluminum Seat, Back, and Deck



*Model B302/CU-8AY Team Bench with blue powder coated frames,
8 ft. long, with yellow powder coated 2" x 10"
aluminum seat, back, and deck.*

- **19" wide equipment deck keeps sports gear out of the dirt and within reach**
- **Extra heavy design to be stronger and more stable with a simple, clean style**
- **Sturdy, formed and welded steel frame construction**
- **Frames are Hot-Dip Galvanized after fabrication for superior corrosion resistance**
- **Structurally reinforced extruded aluminum seat, back, and deck with clear anodized finish**
- **Diagonal bracing for strength and rigidity**
- **Quality construction throughout**

SPECIFICATIONS:

- **Model B302** end frames are one-piece, welded construction with a die-formed back, seat, and deck bracket of 2-3/8" x 1-1/2" x 1/8" nominal sized channel, and a 2.375" (2-3/8") O.D. (to meet 2" nominal steel pipe size specifications) steel pipe, die-formed to create a stable base for the bench. Bench is designed to be portable.
- **Model B302/G-6** is 6 ft. long (nom.) with two frames.
- **Model B302/G-8** is 8 ft. long (nom.) with two frames.
- Seat height is 17-7/8", deck height is 35-3/16".
- Frames are supported by diagonal braces of 1-5/16" O.D. 14 ga. wall steel pipe that connect to the underside of the deck.
- **Standard:** All steel frame components are hot-dip galvanized after fabrication to ASTM-A123 to maintain an average zinc coating of 2.0 oz. per sq. ft. of surface area (indicated by "/G" in model no., e.g. B302/G-6AL).
- Seat and back are each a single 2" x 10" aluminum planks, two 2" x 10" planks create a 19" wide deck the full length of the bench.
- Aluminum is extruded 6063-T6 aluminum alloy in planks with dimensions equivalent to that of 2" x 10" nominal sized lumber. The plank design is 1-3/4" x 9-5/8" with four structural reinforcement ribs for greater rigidity. Aluminum planks are provided with a clear anodized finish as per anodizing specification 204 R1. Aluminum clips to fasten planks to frames are included.
- Channel end caps are of extruded 6063-T6 aluminum alloy provided with a clear anodized finish as per anodizing specification 204 R1. End caps are press fitted over ends of aluminum planks and mechanically fastened in place at the factory.
- All fasteners are provided for assembly.
- **Optional:** Color choices of powder coated steel frame components. For optional colors choices see Specification Bulletin #SPC-CO-001.
- **Optional:** Aluminum seat, back, and deck have powder coat finish in a choice of colors. See Specification Bulletin #SPC-CO-001.
- **Optional:** Bench can be anchored to concrete surfaces with Anchor Kit #ANC2-4.

AVAILABLE OPTIONS

6' or 8' models

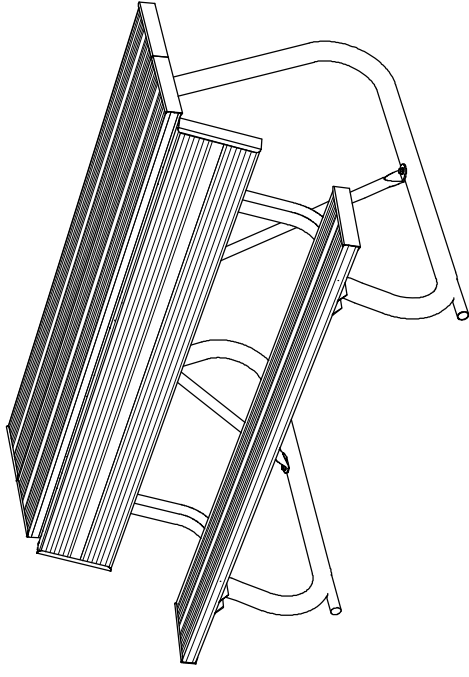
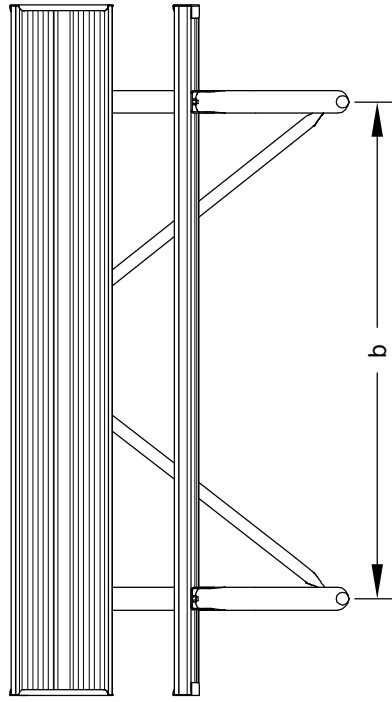
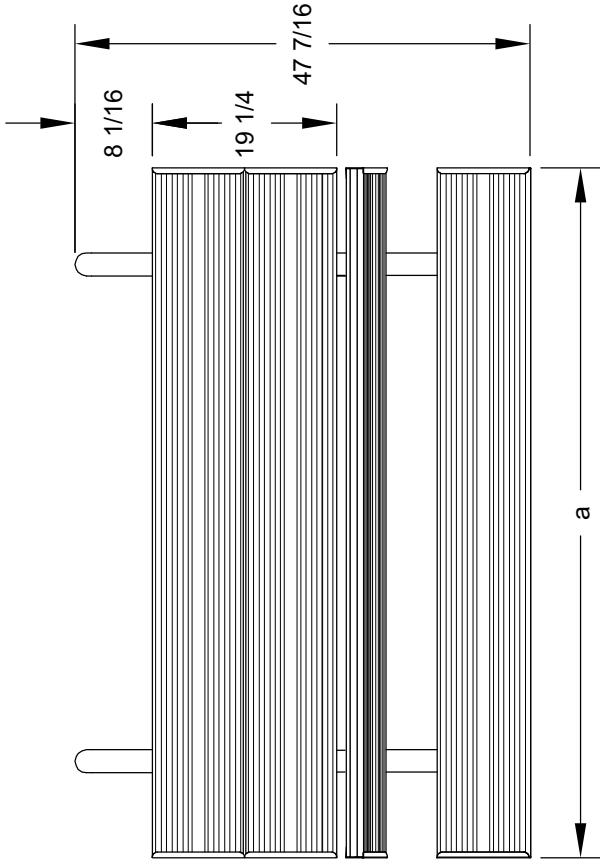
Powder Coat Finish in choice of colors for steel frame components

Powder Coat Finish in choice of colors for aluminum components

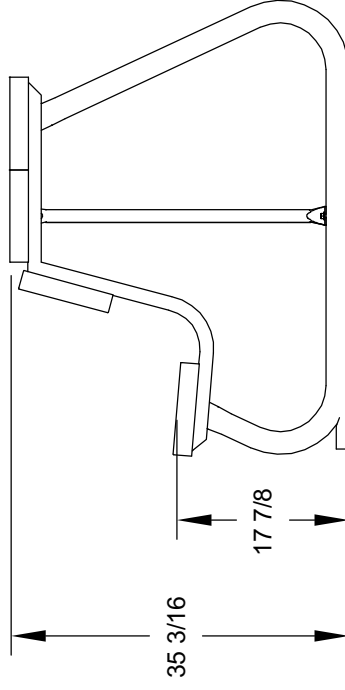
RJ Thomas Mfg. Co., Inc.

PO Box 946 • Cherokee, IA 51012-0946 • PH: 712-225-5115 • 800-762-5002 • FAX: 712-225-5796
E-mail: pilotrock@rjthomas.com • Web Site: <http://www.pilotrock.com>

© 2008 RJ Thomas Mfg. Co., Inc. PILOT ROCK® Park Products is a registered trademark of RJ Thomas Mfg. Co., Inc.



MODEL	DIMENSION	
	a	b
B302-6	71 15/16	51 3/4
B302-8	95 15/16	70



ALL DIMENSIONS IN INCHES

RJThomas Mfg. Co., Inc.
 P.O. Box 946 • Cherokee, IA 51012-0946

DRAWN BY
WWM

TITLE MODEL B302 6 AND 8 FOOT PORTABLE TEAM BENCH
 WITH ALUMINUM SEAT, BACK, AND EQUIPMENT DECK

DATE 2-11-10

DWG. NO. **AI-1913**